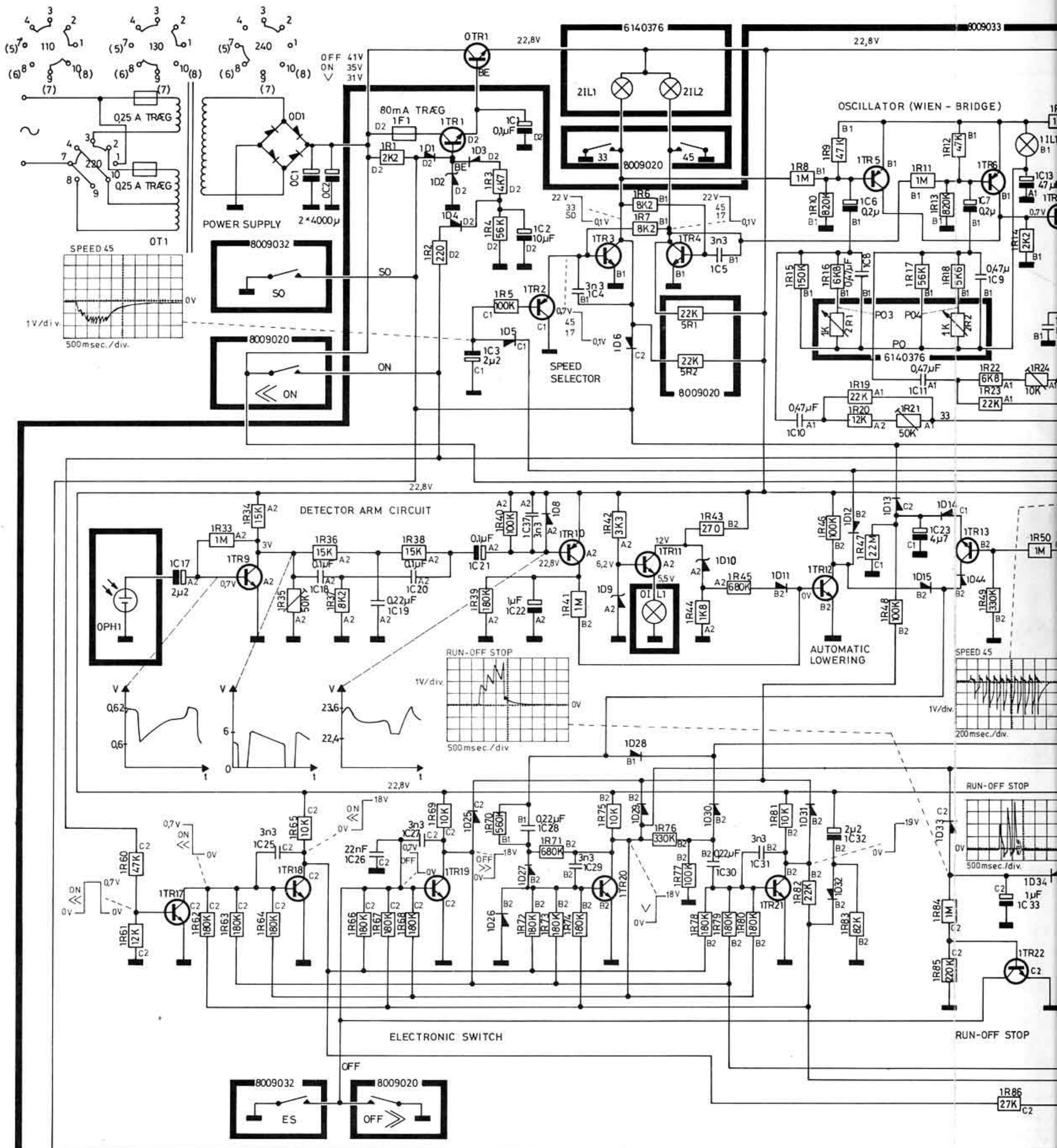




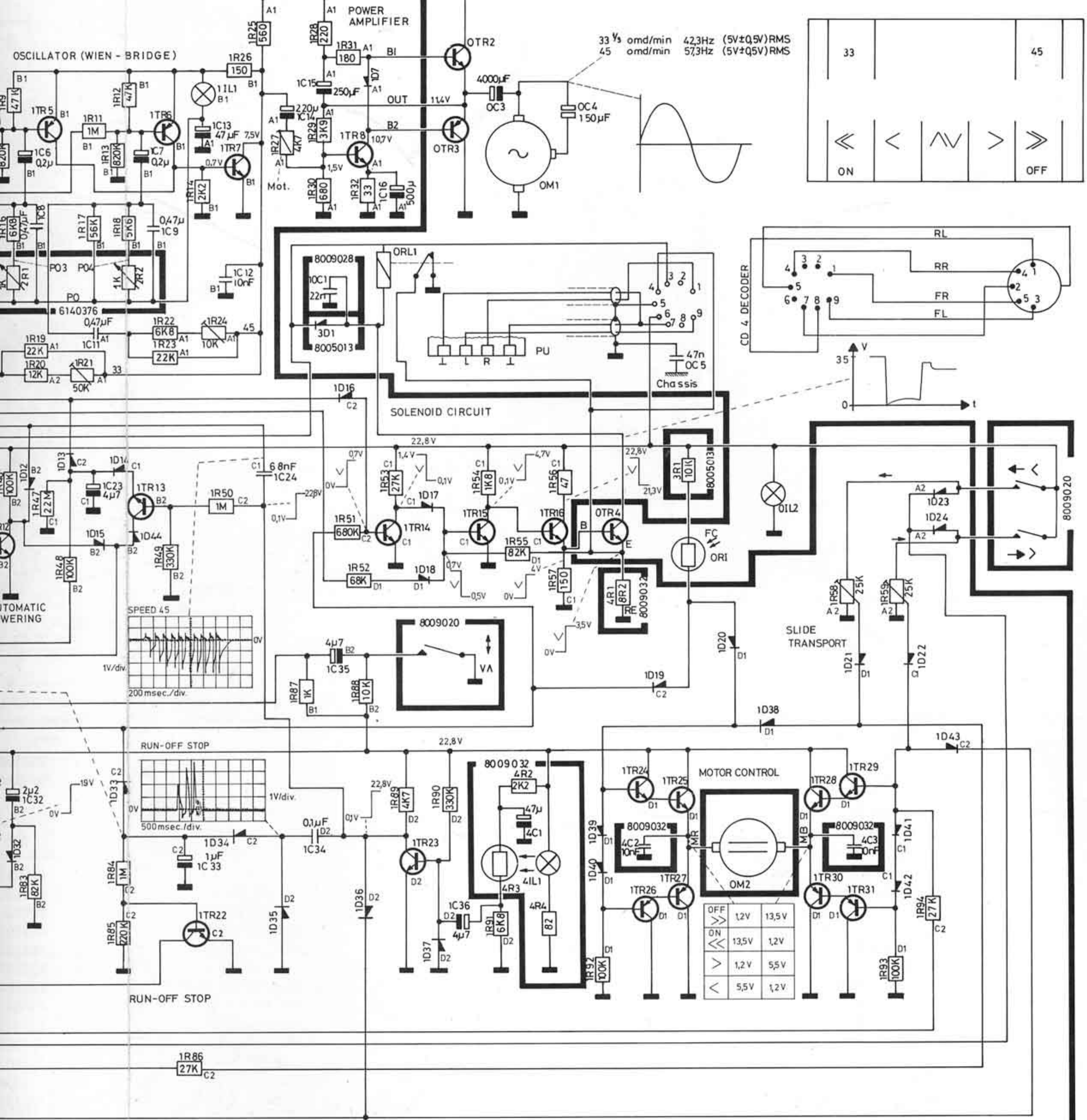
DIAGRAM 1

Beogram 4002 Type 5501 from no. 257556

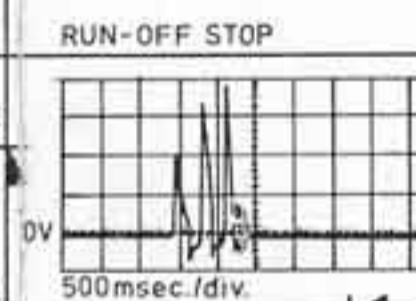
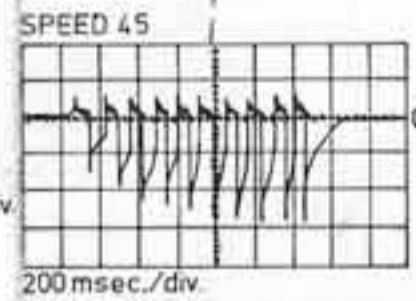
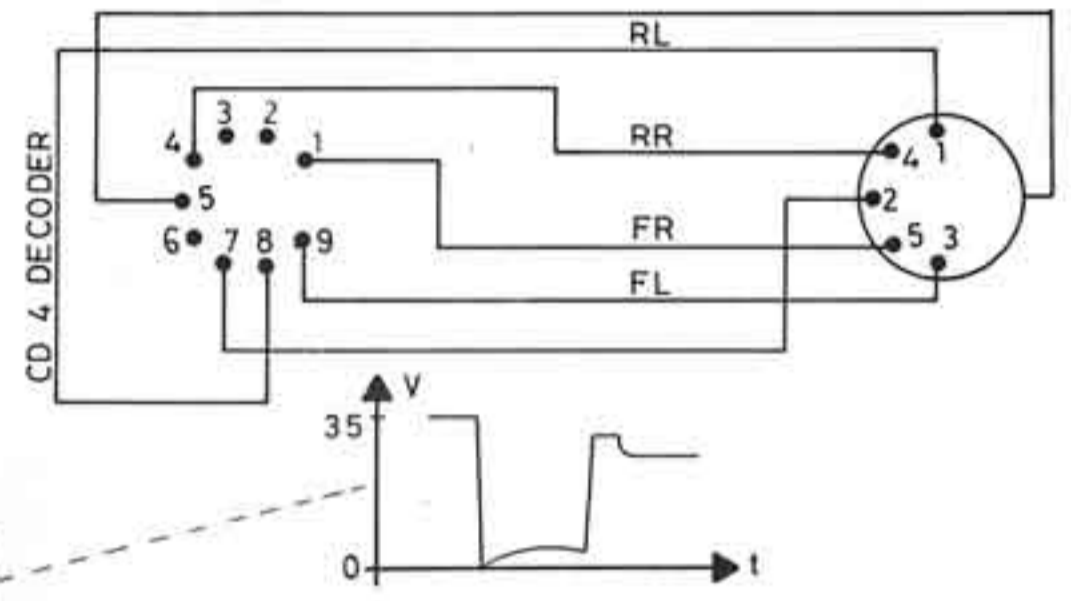
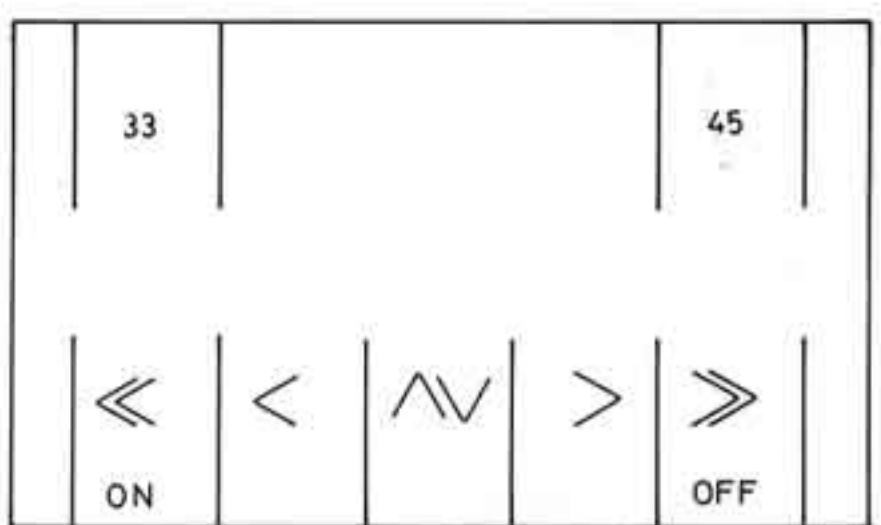
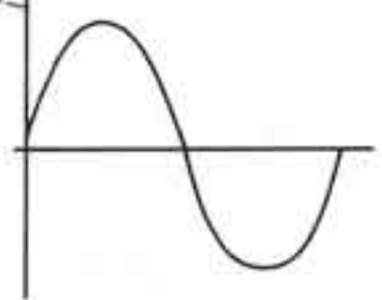
Beogram 6000 Type 5502 from no. 260028







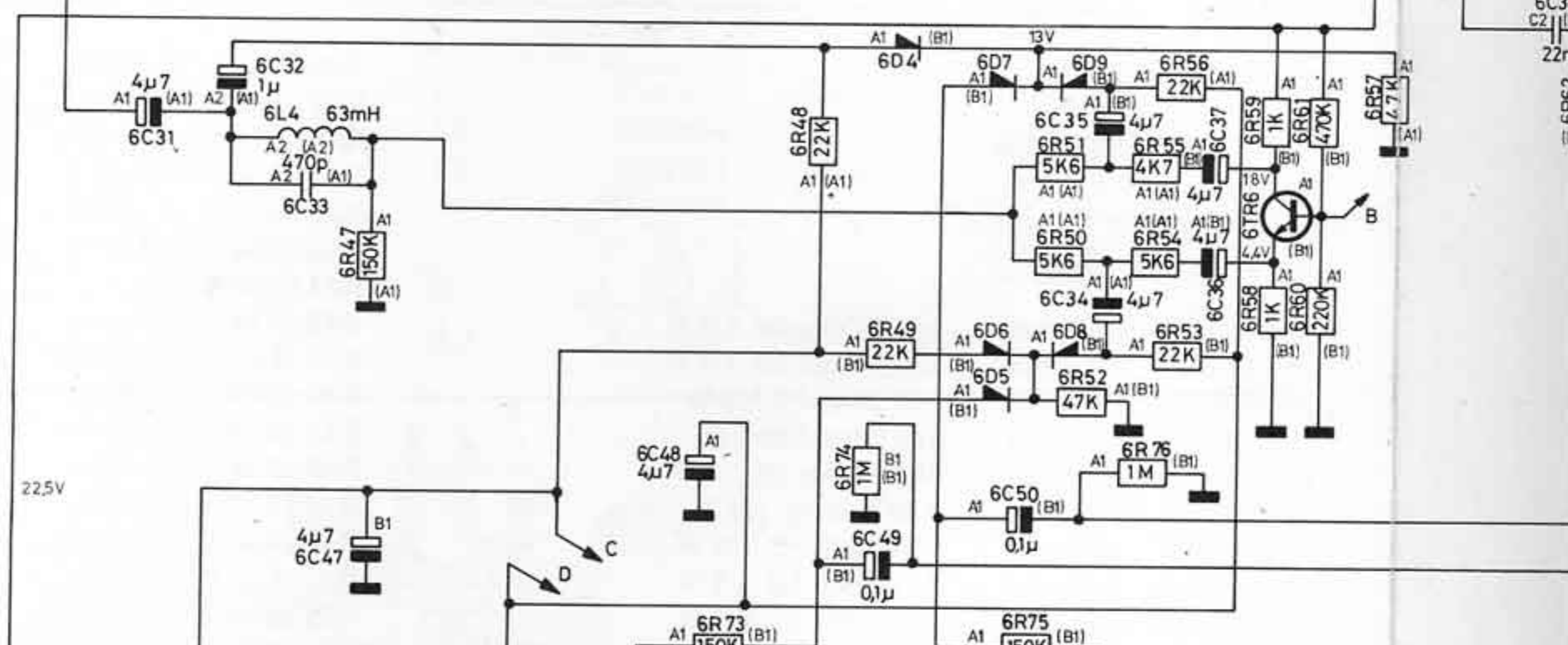
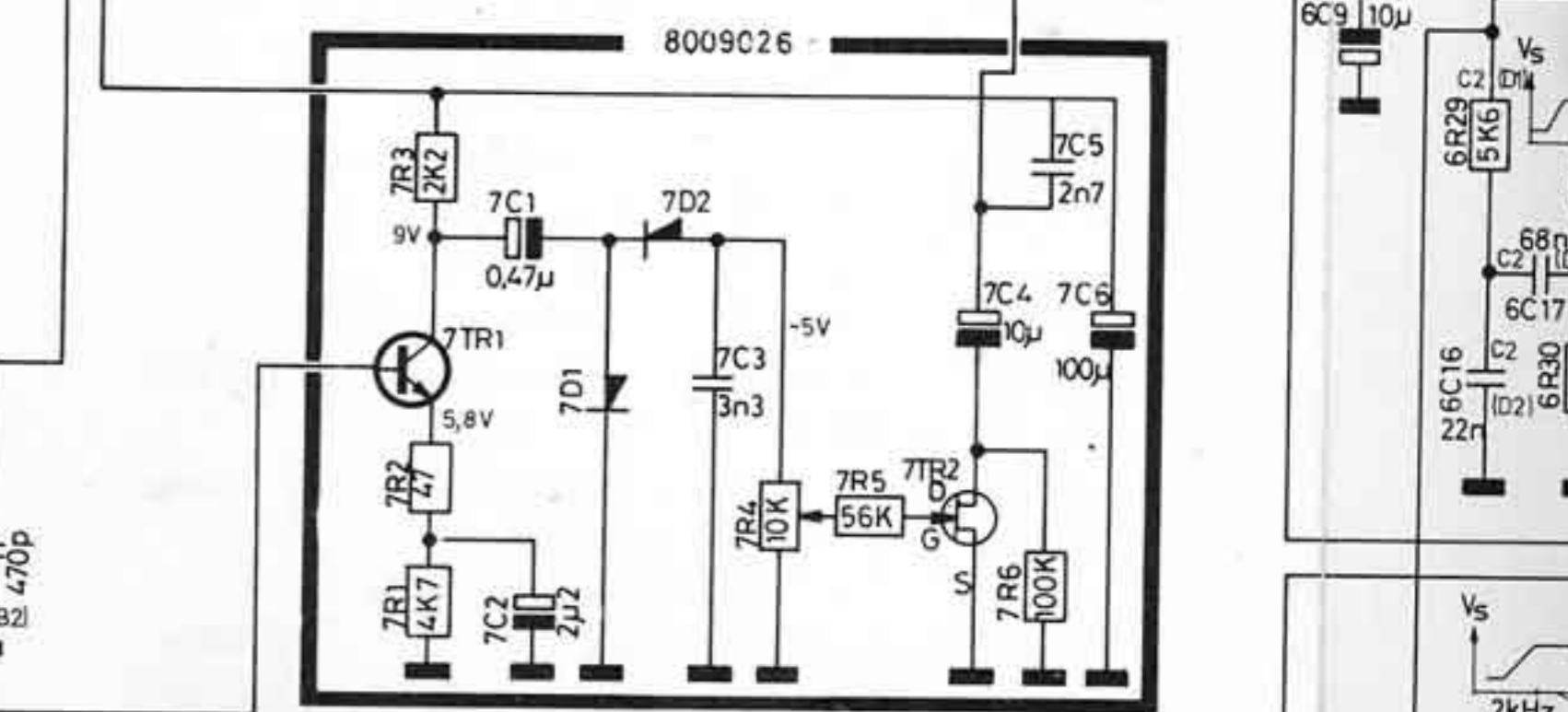
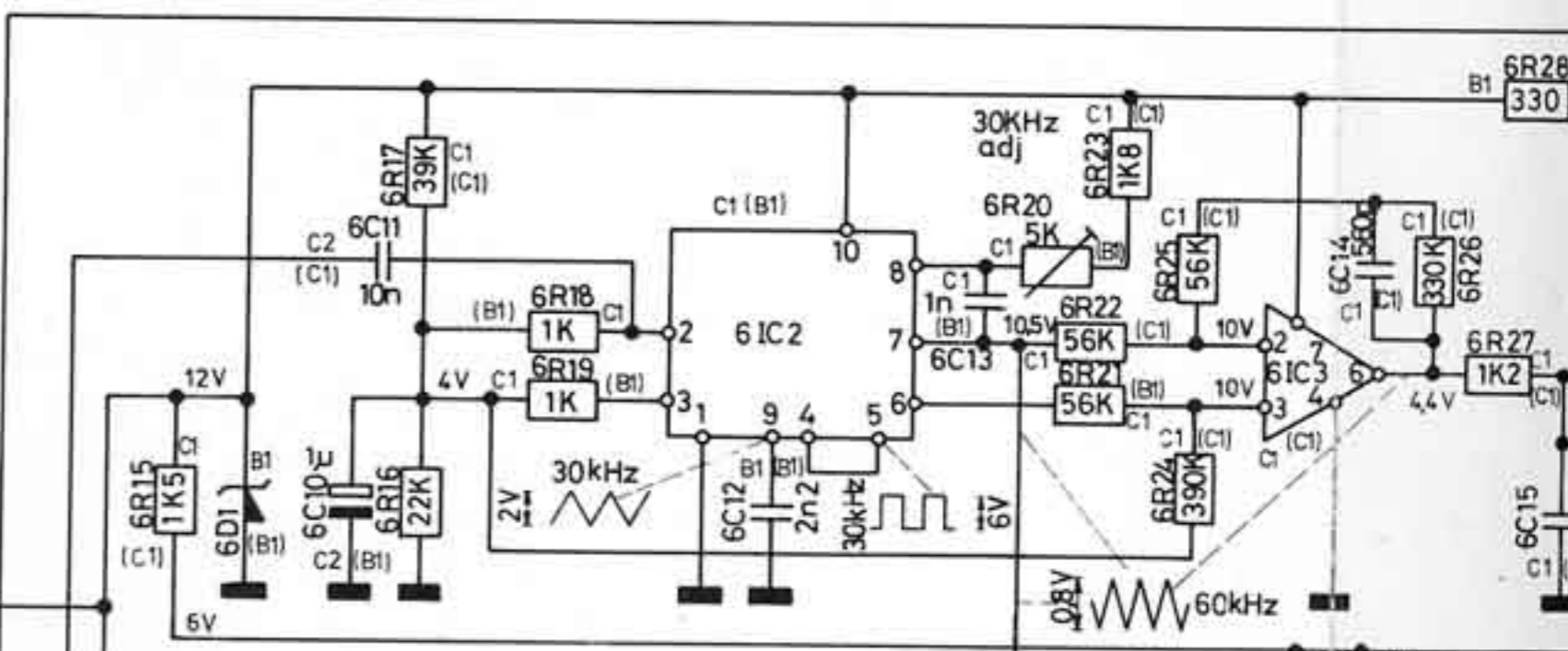
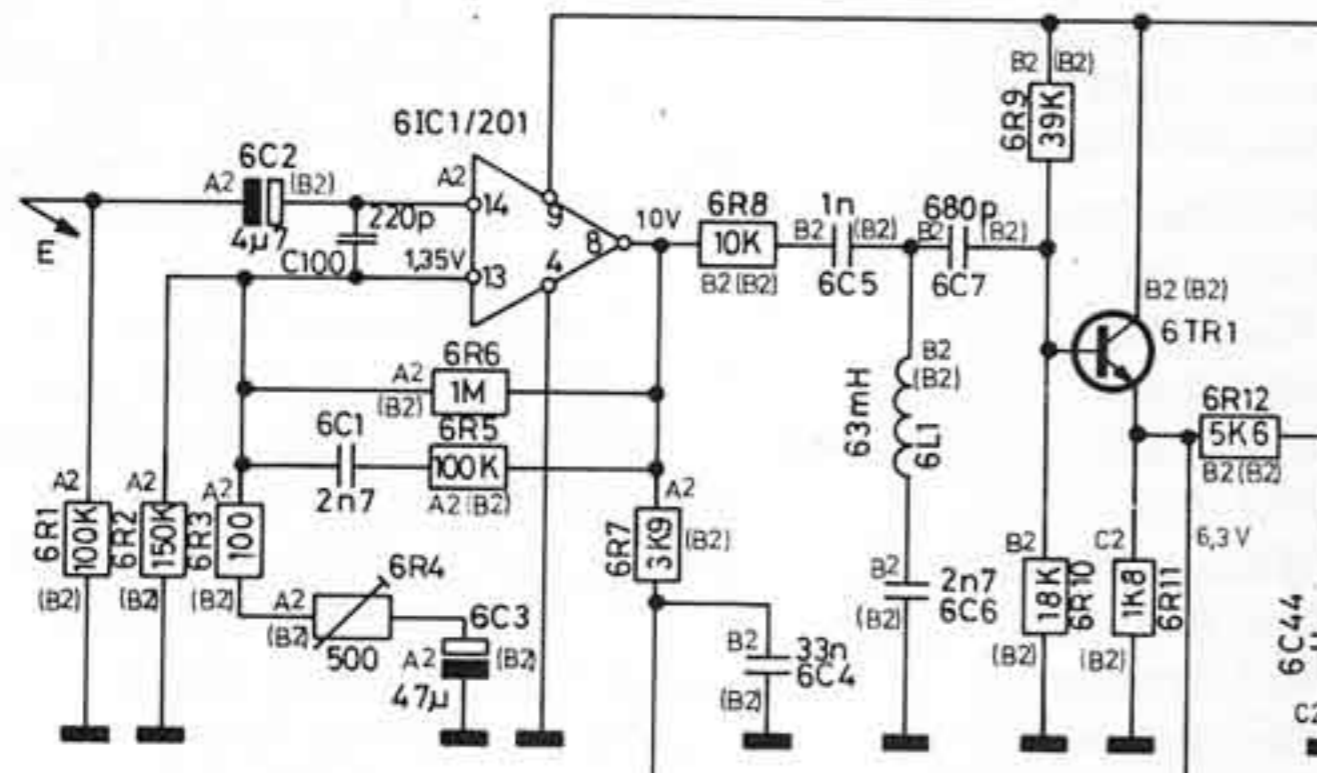
33 1/3 omd/min 423Hz (5V±0.5V)RMS  
 45 omd/min 573Hz (5V±0.5V)RMS



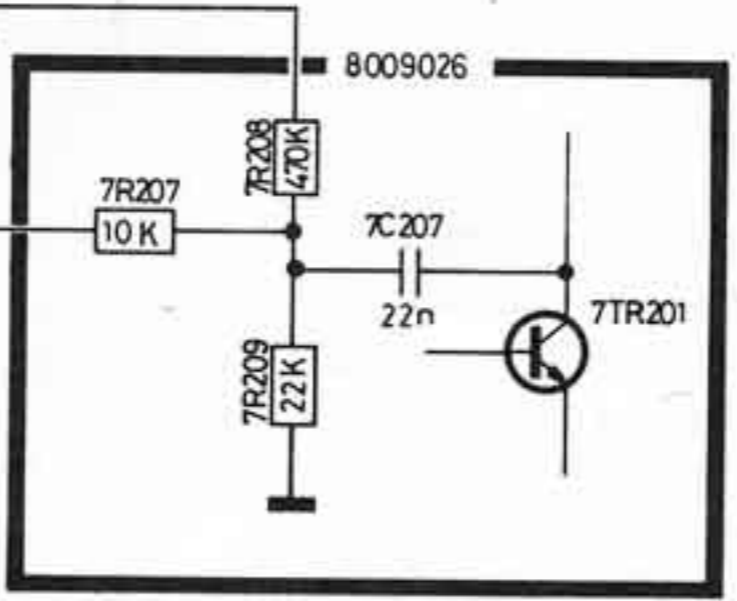
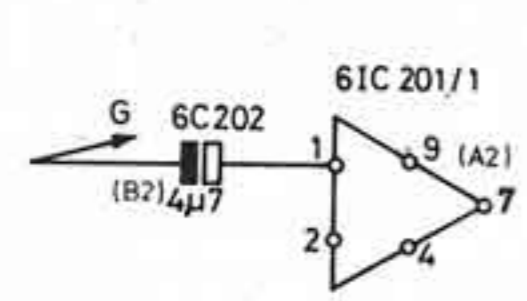
OFF	<math>\ll</math>	1,2V	13,5V
ON	<math>\ll</math>	13,5V	1,2V
<math>\wedge</math>	<math>\wedge</math>	1,2V	5,5V
<math>\gt</math>	<math>\gt</math>	5,5V	1,2V



LEFT CHANNEL



RIGHT CHANNEL

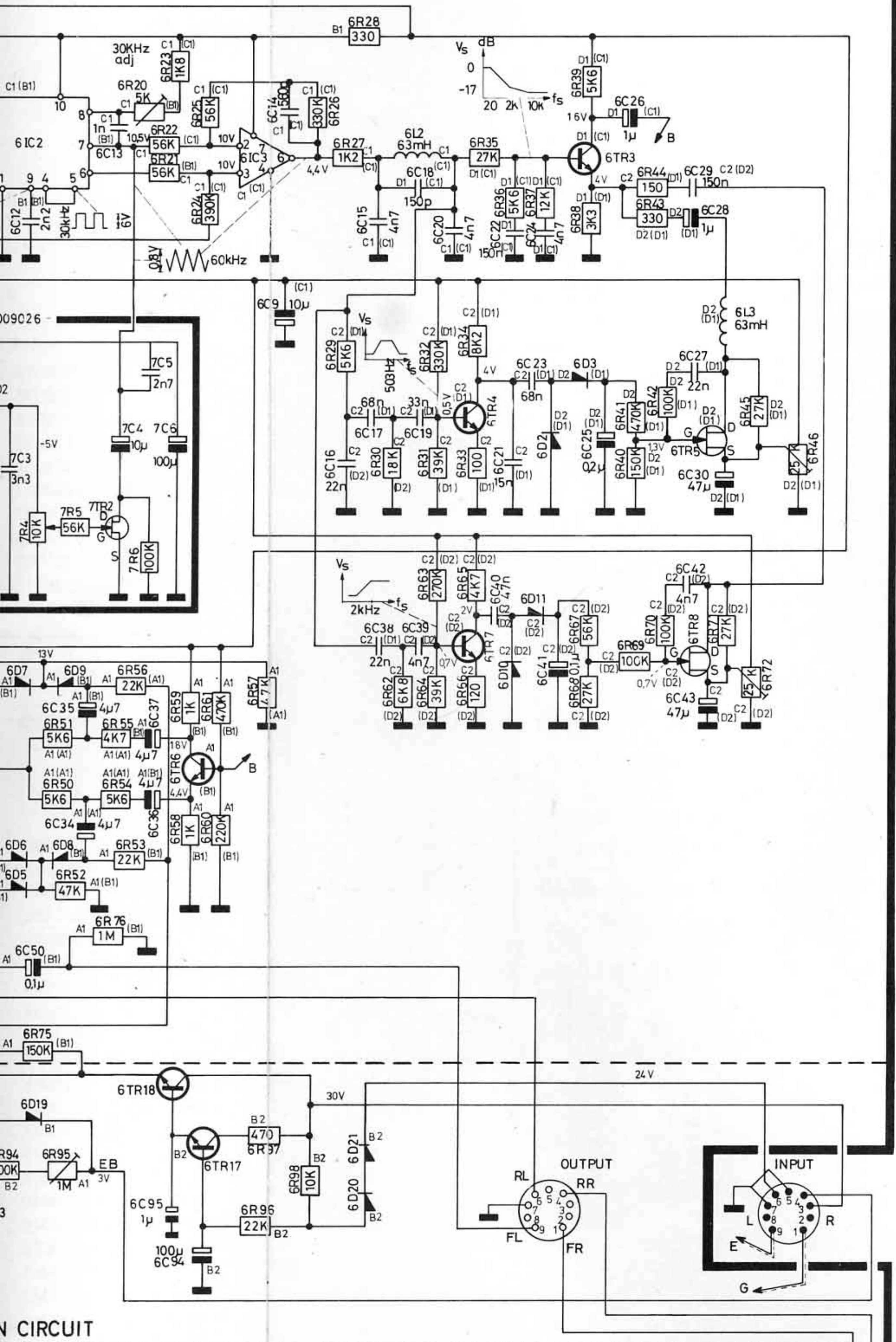


COMMON CIRCUIT

Højre kanals komponentplacering er angivet i parentes  
 Die Komponentenanbringung des rechten Kanals ist in Klammern  
 The component position of the right channel is stated in brackets

- 6L201
- 6R201
- 6C200
- 6D201
- 6TR201
- 6C1201





N CIRCUIT

Højre kanals komponentplacering er angivet i parentes  
 Die Komponentenanbringung des rechten Kanals ist in Klammern angegeben  
 The component position of the right channel is stated in brackets

- |        |   |        |   |
|--------|---|--------|---|
| 6L201  | — | 6L204  | — |
| 6R201  | — | 6R276  | — |
| 6C200  | — | 6C250  | — |
| 6D201  | — | 6D211  | — |
| 6TR201 | — | 6TR208 | — |
| 6IC201 | — | 6IC203 | — |

