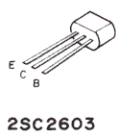
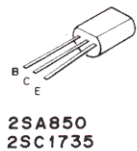
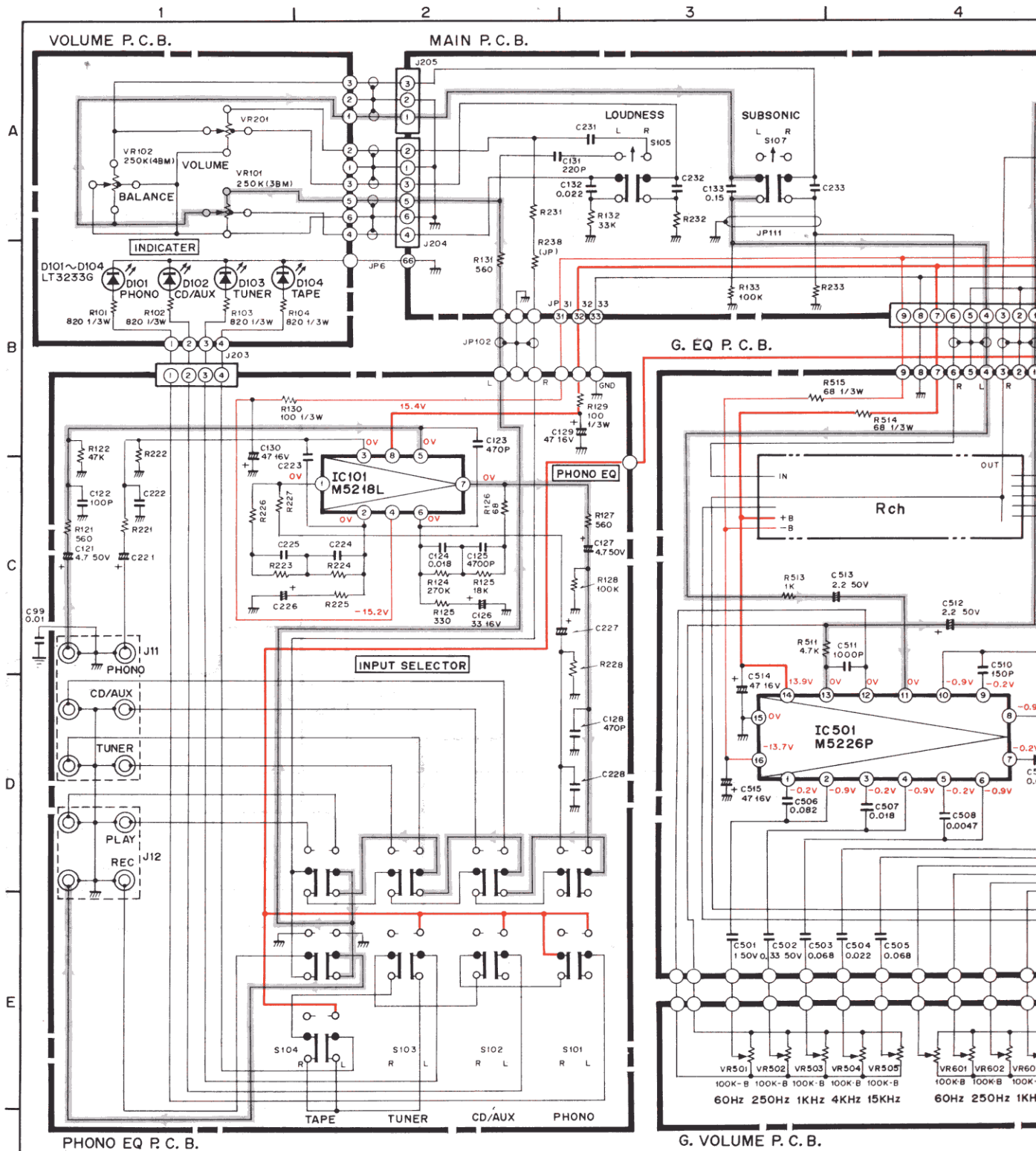


SCHEMATIC DIAGRAM

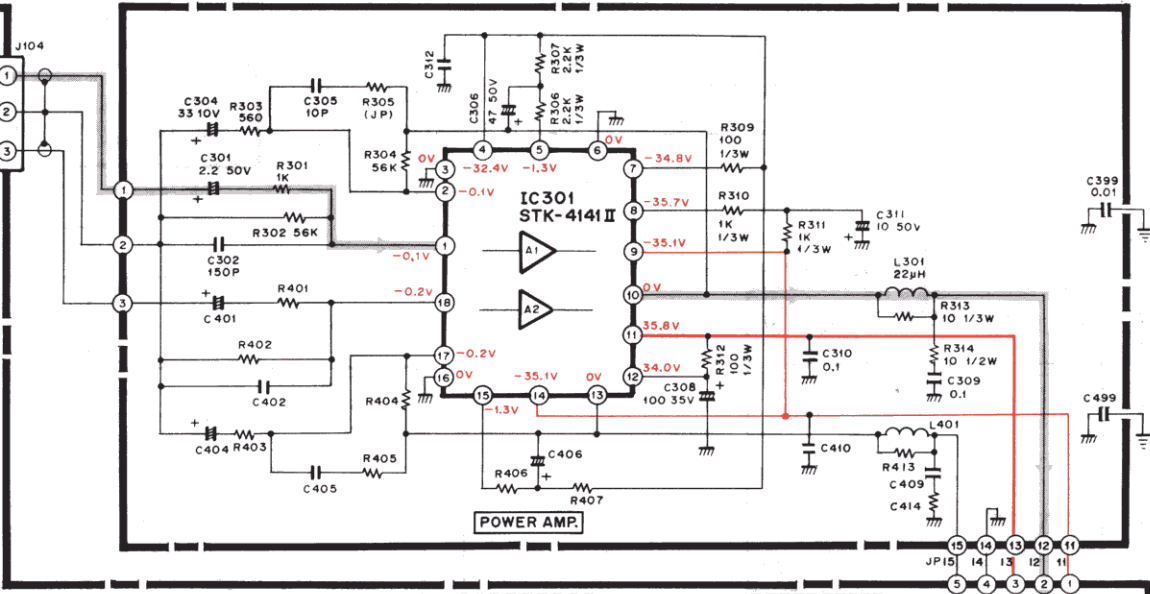


NOTE:

- Units of C and R are as follows,
 Capacitors : non-symbol μ F
 P-symbol pF
 Resistors : non-symbol Ω
 K-symbol K Ω
 M-symbol M Ω
- All resistors are carbon 1/4W unless otherwise specified.
- The voltages are values measured under a non-signal condition.

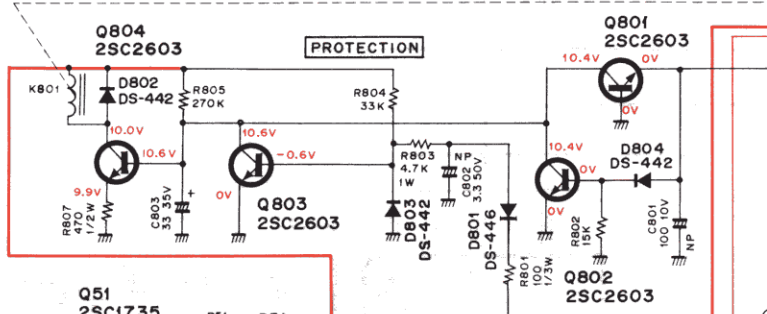
- \triangle and \square safety performance of use only replacements
- Since this schematic parts etc. are subject to

POWER AMP. P.C.B.

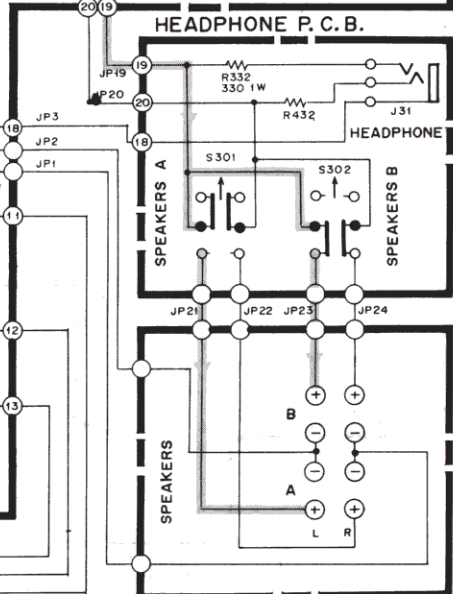


POWER AMP.

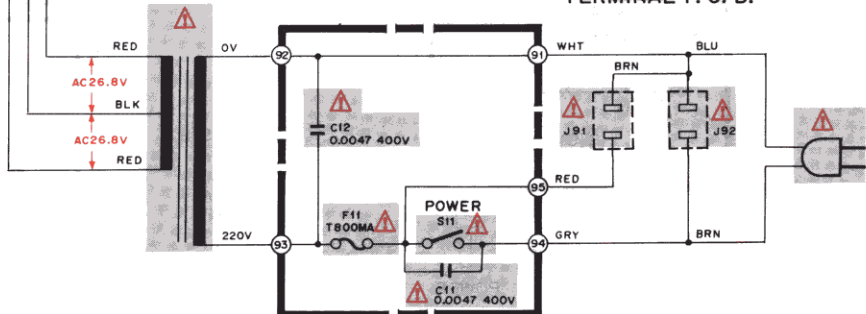
PROTECTION



HEADPHONE P.C.B.



TERMINAL P.C.B.



Components have special characteristics to ensure
 When replacing any of these parts, be sure to
 in the parts list.
 basic diagram of the set, values of component
 without notice for improvement.